

# VEMMIO



## double switch



POWER METER  
SENSOR



ON/OFF  
BUTTON



## double switch

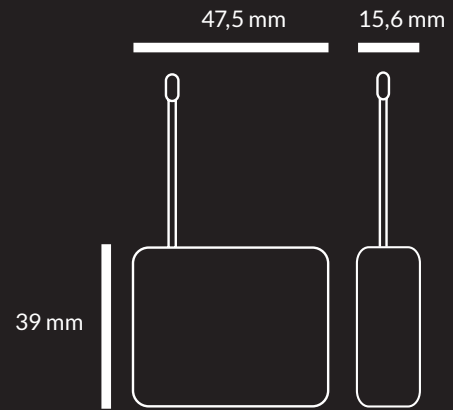
Vemmio Double Switch is a dual relay in-wall module. The product works as a transceiver and is a Z-Wave Plus™ enabled device. Mini size design lets the module be easily hidden into the wall box to do not interfere with house decoration. One of many uses of the Double Switch is to turn on or off the connected fittings and monitor power consumption in real time. The new smart relay calibration technology can work perfectly with many kinds of lights like: incandescent, fluorescent and LED lights.

## key features

- Remotely control your equipment and fittings (On/Off).
- Two channels used separately (2x 1500 W).
- Monitor power consumption in real time.
- If an overload (>1600-1700 W) is detected, the module automatically cuts off the powered circuit.
- Mini size design lets the module be easily hidden into the wall box.



Wireless standard	Z-Wave Plus
Frequency	868.40 MHz
Network range	30 m indoor / 100 m line of sight
Operating temperature	0°C ~ 40°C
Maximum Load	6.5 A(230 VAC/120 VAC) (Resistive load)
Operating Voltage	100 to 240 VAC
Control circuits	Two channels 2 x 1500 W



# VEMMIO

[www.vemmio.com](http://www.vemmio.com)  
certified z-wave manufacturer

